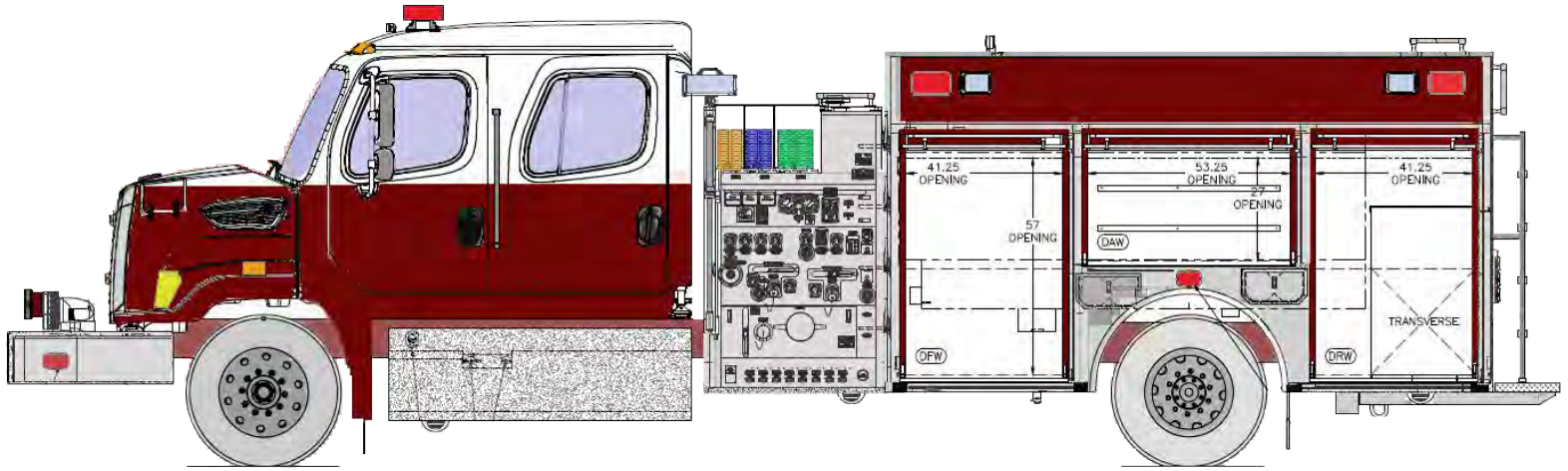




Introducing the Toyne 2020 North East Demo!



Chassis:

- Freightliner 108 SD Crew Cab
- Cummins L9 400hp Engine
- Allison 3000 EVS Transmission
- 41,600 GVWR
- Michelin Tires
- ABS/ATC/ESC
- Bostrom Seating
- Heated and Remote Mirrors
- Power Windows and Locks
- Back Up Camera

Pump:

- Hale Q-Max 1500 GPM Pump
- Trident Air Primer
- Front Intake with Hale MIV-E Valve and Pre-Prime
- Foam Pro 1600 Series Foam System
- Akron Valves
- Stainless Plumbing

Discharges:

- Four (4) 2 1/2 Discharges
- One (1) 4" Discharge
- One (1) 3" Deck Gun Riser
- One (1) 2 1/2 Front Bumper Discharge
- Two (2) 1 1/2 Crosslays
- One (1) 2 1/2 Crosslay

Booster Tank:

- 1000 Gallon UPF Tank
- 25 Gallon Foam Cell

Body:

- Hot-Dipped Galvanized Sub-frame and Tank Cradle
- 304 Bolted Brushed Stainless Body
- ROM Roll-Up Doors
- Full Depth Compartments Driver's Side
- Shallow Depth Compartments Officer's Side
- Through the Rear Enclosed Ladder and Suction Storage
- Bustin Steel Rear Step

Shelving:

- Five (5) Adjustable Shelves
- Three (3) Sensible Products Tool Boards
- Three (3) Roll Out Trays
- One (1) PAC Hinged Tool Board
- One (1) PAC Pull-Out Tool Board

Scene Lights:

- Hi-Viz Brow Light
- Two (2) FRC 28k Lumen Telescoping Lights
- Six (6) FRC 900 Series Fixed Body Lights

Emergency Warning:

- Whelen I4 Module Freedom Light Bar
- Whelen M6 Lower Lights
- Whelen M9 Upper Lights
- Whelen Electric Siren'
- Federal "Q"
- Grover Air Horns

Misc:

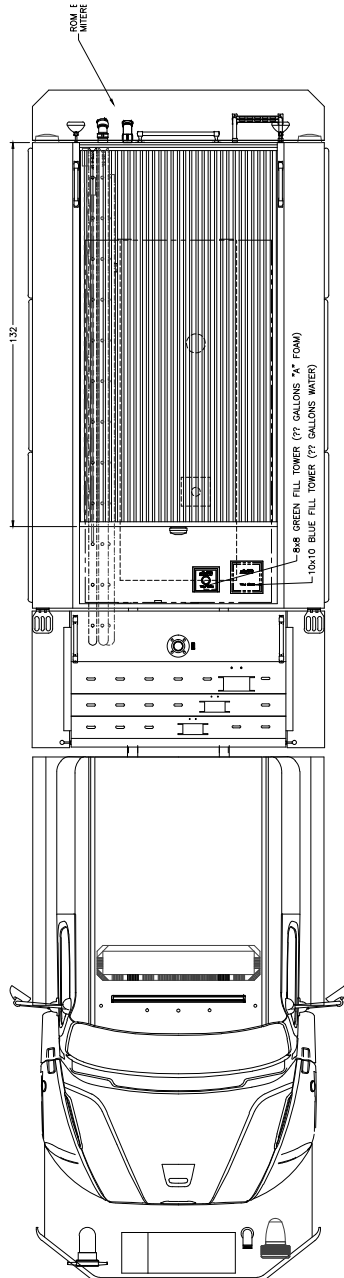
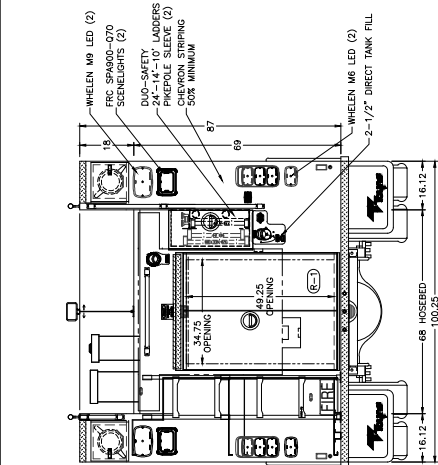
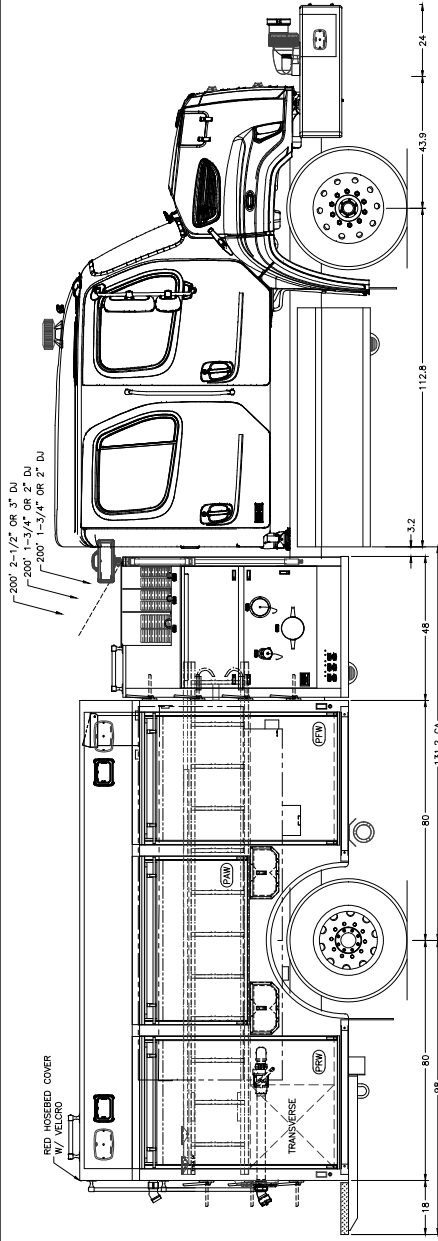
- Striping and Graphics
- Delivery and Training
- Equipment Mounting



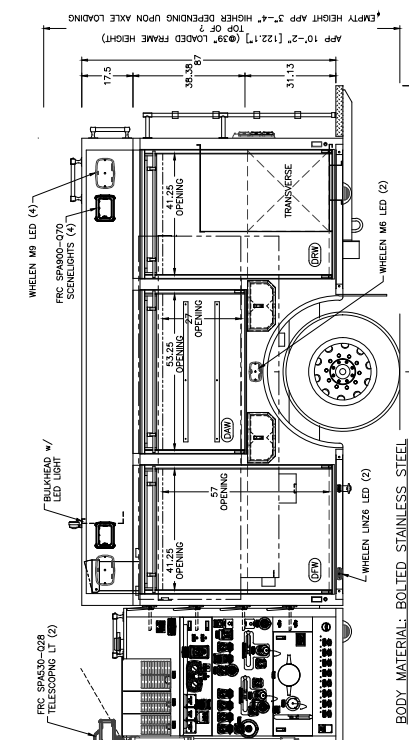
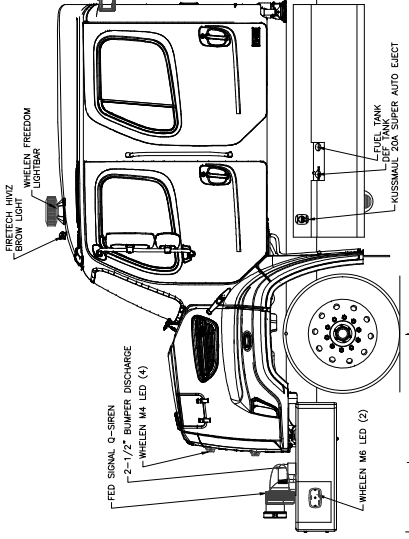
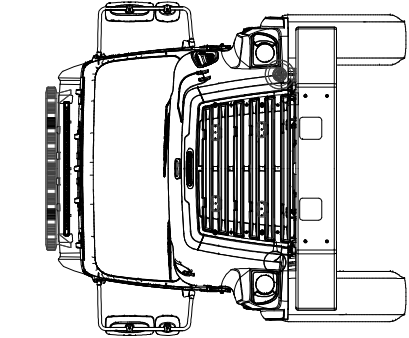
Contact you local SFTS Representative for more details

Shakerley Fire Truck Sales . PO Box 4060 . Clifton Park N.Y. 12065 . 518-877-6565
Shakerley.com





COMP.	HEIGHT	USABLE DEPTH		WIDTH	HEIGHT	FT.
		UPPER	LOWER			
DRW	57.12	1.4	2.6	57	48.76	
DRW	57.12	1.4	2.6	57	44.44	
DRW	57.12	1.4	2.6	57	44.44	
PRW	57.12	1.4	2.6	28	35.35	
PAW	57.12	1.4	2.6	28	31.18	
R-1	53.12	1.4	2.6	30	33.62	
HOSEBED	18	68	1.32		93.5	
WHEEL X/Y	16	7.5	7.375		31.2	
REAR X/Y	16	11	7.375		27.51	



NOTE:
 DIMENSIONS SHOWN ARE APPROXIMATE AND ARE SUBJECT TO MINOR CHANGE AS MAY BE FOUND NECESSARY DURING CONSTRUCTION. MINOR DETAILS MAY NOT BE SHOWN. IF DISCREPANCIES EXIST BETWEEN THIS DRAWING AND THE WRITTEN SPECIFICATIONS PROVIDED BY TOYNE, THE WRITTEN SPECIFICATIONS SHALL PREVAIL.

TOYNE
 BRENDA, IA 51436
 800-648-3358
 WWW.TOYNE.COM

DEMO
 CUSTOM PUMPER

ORIGINAL DRAWING 280CT19 CHASSIS: FREIGHTLINER 108SD 4 DOOR SCALE: 1/66 SHEET: A
 280CT19 WB-CA-AF: 244"-131.2"-47" D17 CITY: ---
 BODY MATL: BOLTED STAINLESS STEEL STATE: ---
 PUMP: HALF Q-MAX 1750 D/R: ---
 TANK: 1000/25 UPF POLY-TANK III CAD: GROSSMAN
 FOAM SYSTEM: N/A DATE: 28 OCT 2019
 GENERATOR: N/A FILE: 12730DEMO-A